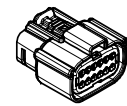


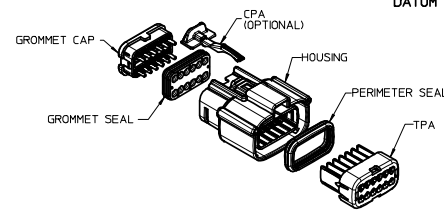
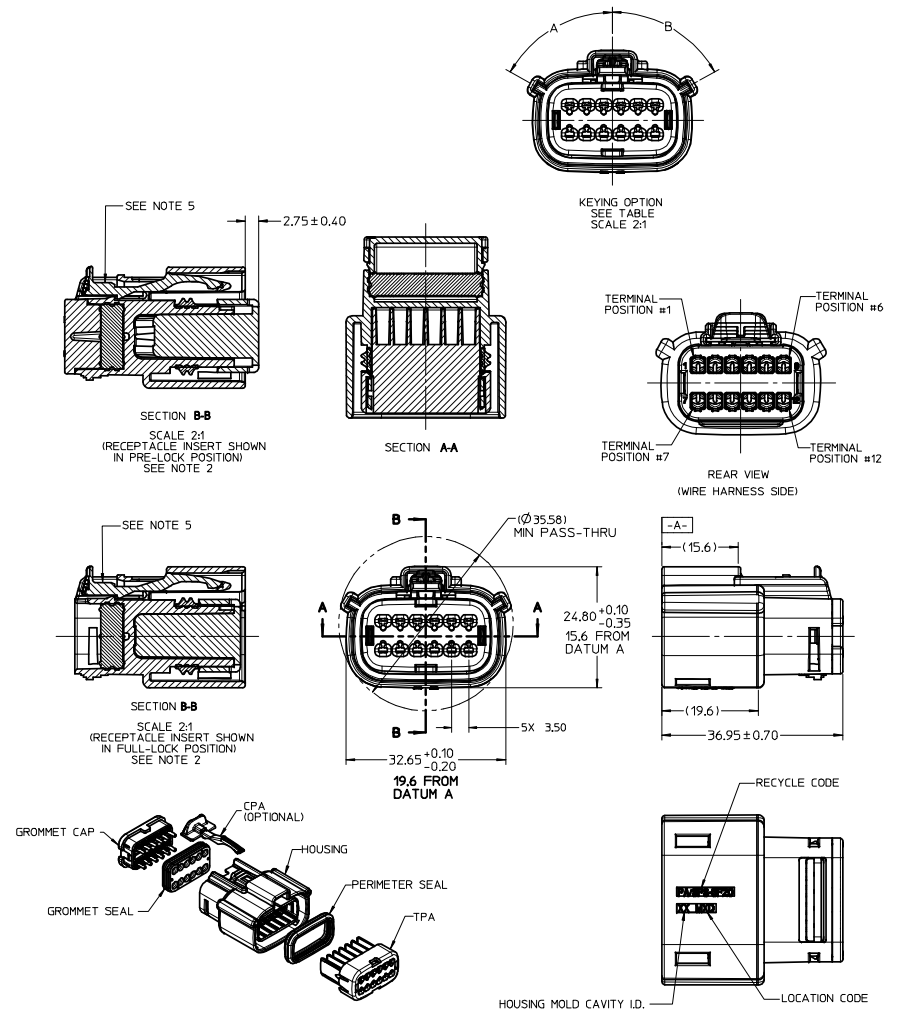
ASSEMBLY PART NUMBER	CPA	COLOR	KEYING OPTION	DIMENSIONS (DEGREES)		CAVITY TYPE & STATUS (X = PLUGGED)																
				A	B	1	2	3	4	5	6	7	8	9	10	11	12					
				33472-1201	-	BLACK	A	60	60													
33472-1202	-	LT. GRAY	B	60	25																	
33472-1203	-	BROWN	C	25	60																	
33472-1204	-	GREEN	D	25	25																	
33472-1205	-	CUSTOM	TBD	TBD	TBD																	
33472-1206	YES	BLACK	A	60	60																	
33472-1207	YES	LT. GRAY	B	60	25																	
33472-1208	YES	BROWN	C	25	60																	
33472-1209	YES	GREEN	D	25	25																	
33472-1210	YES	CUSTOM	TBD	TBD	TBD																	
33472-1211	-	BLACK	A	60	60																X	
33472-1212	-	LT. GRAY	B	60	25																X	
33472-1213	-	BROWN	C	25	60																X	
33472-1214	-	GREEN	D	25	25																X	
33472-1215	-	CUSTOM	TBD	TBD	TBD																X	
33472-1216	YES	BLACK	A	60	60																X	
33472-1217	YES	LT. GRAY	B	60	25																X	
33472-1218	YES	BROWN	C	25	60																X	
33472-1219	YES	GREEN	D	25	25																X	
33472-1220	YES	CUSTOM	TBD	TBD	TBD																X	
33472-1221	-	BLACK	A	60	60							X	X									
33472-1222	-	LT. GRAY	B	60	25							X	X									
33472-1223	-	BROWN	C	25	60							X	X									
33472-1224	-	GREEN	D	25	25							X	X									
33472-1225	-	CUSTOM	TBD	TBD	TBD							X	X									
33472-1226	YES	BLACK	A	60	60							X	X									
33472-1227	YES	LT. GRAY	B	60	25							X	X									
33472-1228	YES	BROWN	C	25	60							X	X									
33472-1229	YES	GREEN	D	25	25							X	X									
33472-1230	YES	CUSTOM	TBD	TBD	TBD							X	X									
33472-1231	-	BLACK	A	60	60	X						X	X									
33472-1232	-	LT. GRAY	B	60	25	X						X	X									
33472-1233	-	BROWN	C	25	60	X						X	X									
33472-1234	-	GREEN	D	25	25	X						X	X									
33472-1235	-	CUSTOM	TBD	TBD	TBD	X						X	X									
33472-1236	YES	BLACK	A	60	60	X						X	X									
33472-1237	YES	LT. GRAY	B	60	25	X						X	X									
33472-1238	YES	BROWN	C	25	60	X						X	X									
33472-1239	YES	GREEN	D	25	25	X						X	X									
33472-1240	YES	CUSTOM	TBD	TBD	TBD	X						X	X									
33472-1241	-	BLACK	A	60	60	X						X	X									X
33472-1242	-	LT. GRAY	B	60	25	X						X	X									X
33472-1243	-	BROWN	C	25	60	X						X	X									X
33472-1244	-	GREEN	D	25	25	X						X	X									X
33472-1245	-	CUSTOM	TBD	TBD	TBD	X						X	X									X
33472-1246	YES	BLACK	A	60	60	X						X	X									X
33472-1247	YES	LT. GRAY	B	60	25	X						X	X									X
33472-1248	YES	BROWN	C	25	60	X						X	X									X
33472-1249	YES	GREEN	D	25	25	X						X	X									X
33472-1250	YES	CUSTOM	TBD	TBD	TBD	X						X	X									X
33472-1251	-	BLACK	A	60	60							X	X									X
33472-1252	YES	BLACK	A	60	60																X	X

NOTES: UNLESS OTHERWISE SPECIFIED

- 1. DESIGNED TO MATE WITH THE BLADE HOUSING ASSEMBLY SPECIFIED IN MOLEX CHARTED DRAWING SD-33482-121 OR DEVICE CONNECTION AS SPECIFIED IN DRAWING 150-S-012-2-201.
- 2. ASSEMBLY SHIPPED WITH RECEPTACLE INSERT IN PRE-LOCK POSITION (SEE SECTION B-B PRE-LOCK). UPON FULL TERMINAL ASSEMBLY, EACH RECEPTACLE INSERT MUST BE SNAPPED INTO ITS FINAL-LOCK POSITION.
- 3. FOR RECEPTACLE TERMINALS TO BE USED WITH THIS ASSEMBLY, SEE DRAWING SD-33012-001.
- 4. SYSTEM TO BE USED WITH WIRE WITHIN DIAMETER RANGE OF 1.2mm TO 2.4mm.
- 5. OPTIONAL CPA SHOWN IN ALL VIEWS. SEE TABLE FOR SPECIFIC ASSEMBLY OPTION AND NUMBER.
CPA MUST BE INSERTED TO THE PRE-LOCK POSITION, AS SHOWN IN SECTION B-B, WHEN SEATED CORRECTLY. CPA DOES NOT MOVE FREELY.
ENGAGEMENT FORCE TO MOVE CPA FROM PRE-LOCK TO FINAL LOCK POSITION, WHEN UNMATED: 40N MIN.
DISENGAGEMENT FORCE TO MOVE CPA FROM FINAL LOCK TO PRE-LOCK POSITION: 3N MIN.
- 6. MATERIAL: SPS/NYLON BLEND, 20% GLASS FILLED.
- 7. SHALL CONFORM TO PACKAGING SPECIFICATION PK-30907-895.
- 8. SHALL CONFORM TO PRODUCT SPECIFICATION PS-33472-000.
- 9. PACKAGING: IN THE EVENT THAT INSERT IS FOUND IN THE SEATED (FINAL LOCK) POSITION, REFER TO MOLEX SPECIFICATION PS-34646-001, AVAILABLE AT WWW.MOLEX.COM.



SCALE 1:1



REDRAWN IEC NO. UAU2008-0718
 DRAWN BY CHYKSYERZYL 2008/05/29
 APPR. S.MARCEAU 2008/05/29

QUALITY SYMBOLS
 ▽=0
 ▽=0

GENERAL TOLERANCES (UNLESS SPECIFIED)		DIMENSION STYLE	SCALE	DESIGN UNITS	THIRD ANGLE PROJECTION
4 PLACES	± .10	MM ONLY	2:1	METRIC	
3 PLACES	± .15	INCH			
2 PLACES	± 0.10				
1 PLACE	± 0.3				
ANGULAR ± 3 °					

DRAWN BY: D. MARCOUX 06-13-02
 CHECKED BY: DATE
 D. GRIFFITHS 06-13-02
 APPROVED BY: DATE
 F. HOLUB 06-13-02

MATERIAL NO: SEE TABLE
 DOCUMENT NO: SD-33472-121

MOLEX INCORPORATED
 MX150 RECEPTACLE CONN ASSEMBLY 2 ROW SEALED 12 WAY

SHEET NO: 1 OF 1

THIS DRAWING CONTAINS INFORMATION THAT IS PROPRIETARY TO MOLEX INCORPORATED AND SHOULD NOT BE USED WITHOUT WRITTEN PERMISSION